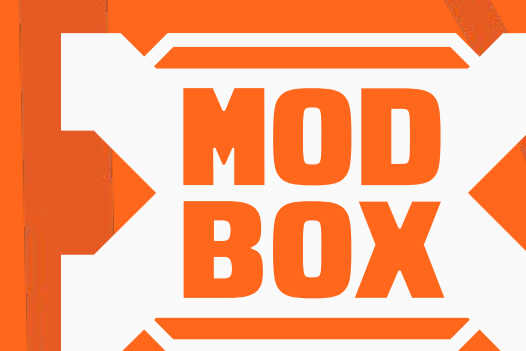


# MODbox™ Drawer Boxes

Streamline Workflows With Tool Stability, Modular Flexibility, And Smooth Grab-And-Go Organization



**Smooth-Glide Drawers**  
With ball-bearing slides



**Custom-Fit Organization**  
Adjustable compartments  
keep parts in place



**Nesting Locking Bar**  
Secures drawers for transportation



**MODbox™ Compact Single  
Drawer Box, Full Width**  
54844MB

**MODbox™ Single Drawer Toolbox**  
54821MB

**MODbox™ Three Drawer  
Rolling Toolbox**  
54890MB

Cat. No.	UPC 0-92644+	Description	Removable Dividers	Overall Length	Overall Width	Overall Height
54821MB	54821-5	MODbox™ Single Drawer Toolbox	2	16.4" (41.7 cm)	22.3" (56.7 cm)	14.4" (36.6 cm)
54822MB	54822-2	MODbox™ Two Drawer Toolbox	16	16.4" (41.7 cm)	22.3" (56.7 cm)	14.4" (36.6 cm)
54823MB	54823-9	MODbox™ Three Drawer Toolbox	24	16.4" (41.7 cm)	22.3" (56.7 cm)	14.4" (36.6 cm)
54843MB	54843-7	MODbox™ Compact Single Drawer Box, Half Width	2	15.7" (39.8 cm)	10.8" (39.8 cm)	7.5" (19.1 cm)
54844MB	54844-4	MODbox™ Compact Single Drawer Box, Full Width	8	15.7" (39.8 cm)	22.3" (56.7 cm)	7.5" (19.1 cm)
54801MB	54827-7	MODbox™ Two Drawer Rolling Toolbox	6	23.5" (59.7 cm)	22.3" (56.7 cm)	44" (111.8)
54890MB	54040-0	MODbox™ Three Drawer Rolling Toolbox	12	23.5" (59.7 cm)	22.3" (56.7 cm)	44" (111.8)

⚠ Visit [www.kleintools.com](http://www.kleintools.com) for warnings.



See our complete line of MODbox™ Storage Systems. [www.kleintools.com](http://www.kleintools.com)

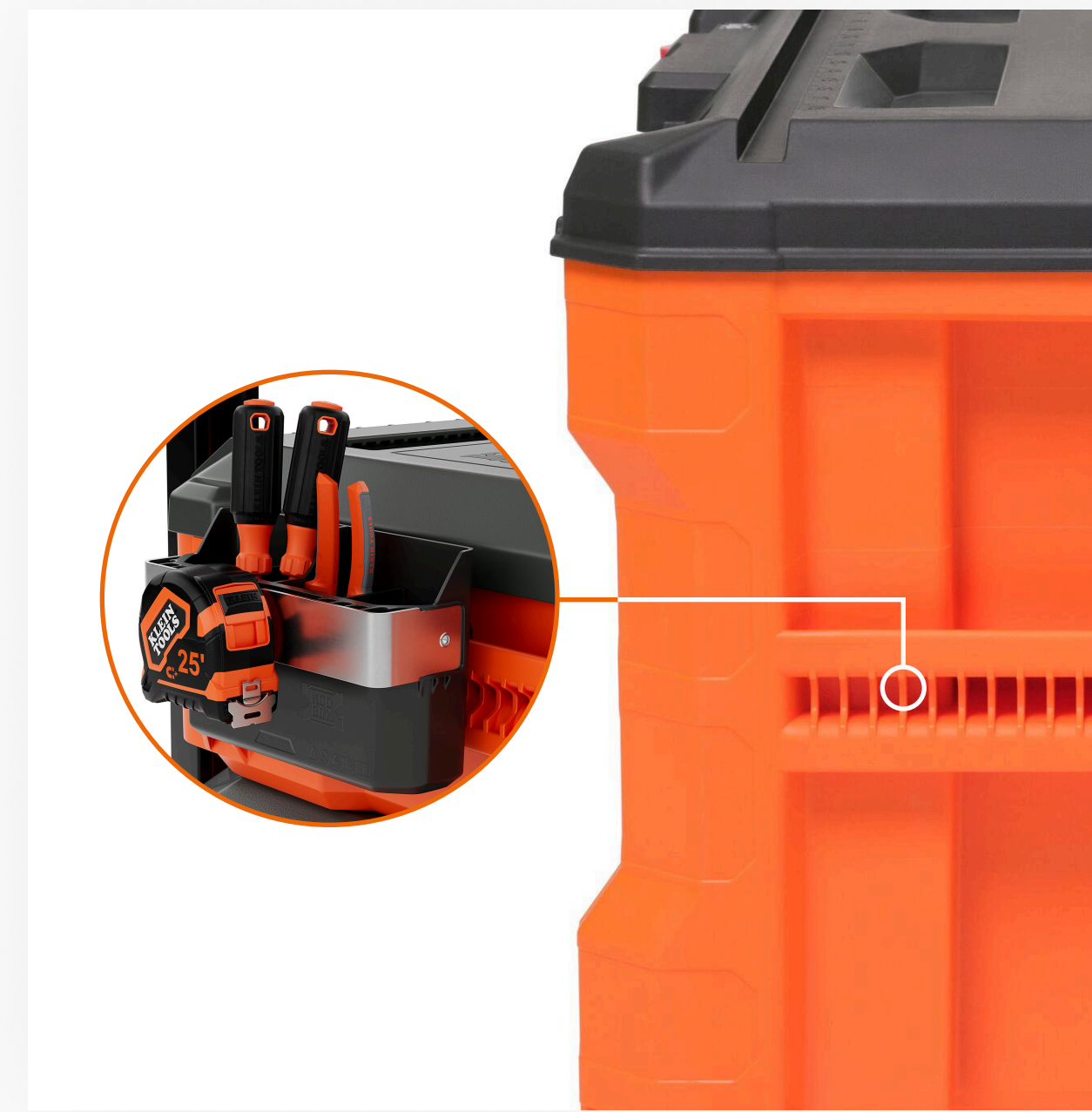
© 2026 Klein Tools, Inc. • Lincolnshire, IL 60069 • Rev. 06/26 A

**MODbox™ Single  
Drawer Toolbox**

54821MB



**Large Open Capacity**  
For bulkier items



**Built-In Side Rails**  
For accessories



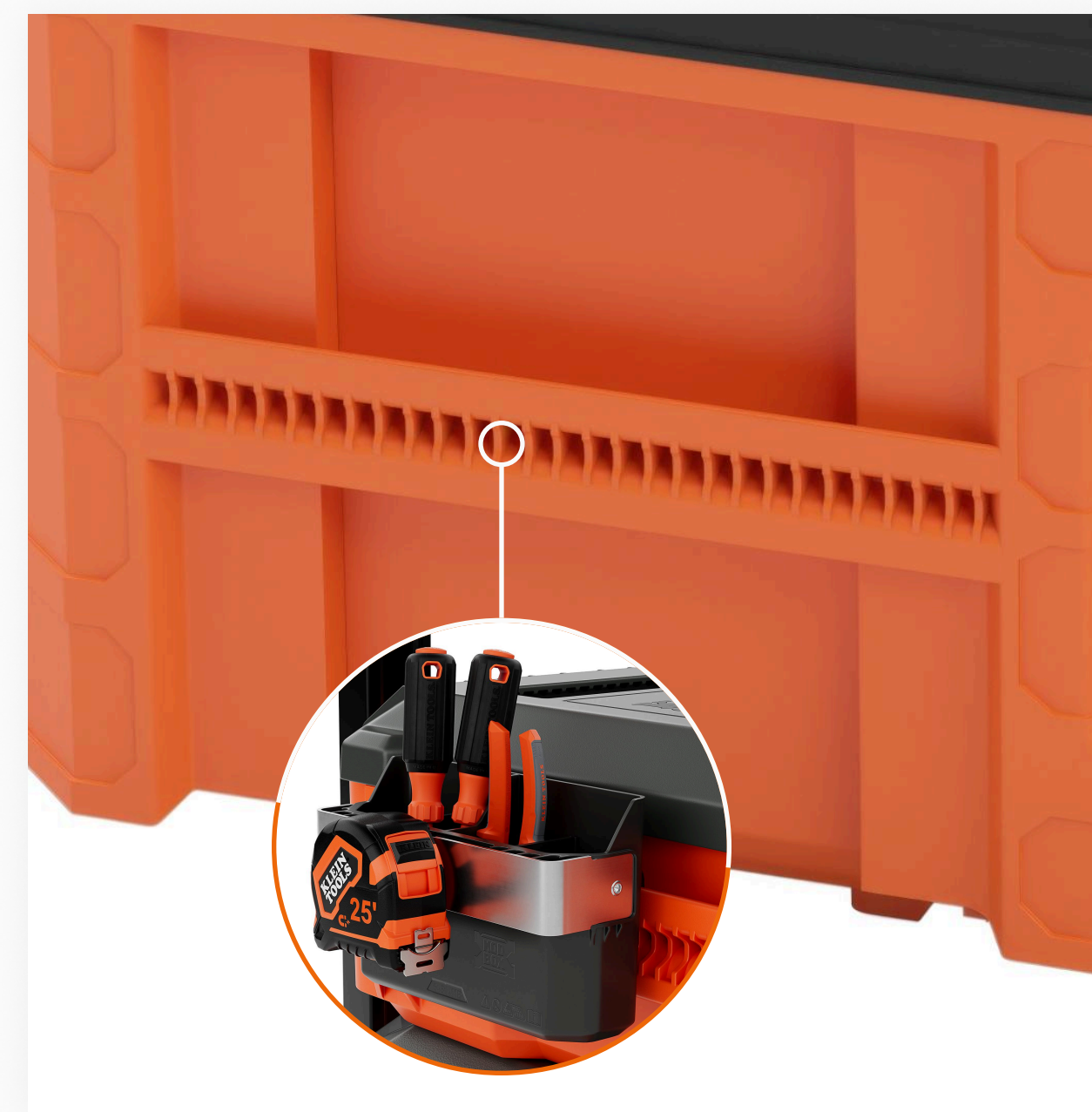
**Reinforced Bottom**  
Prevent drawer sag when loaded

**MODbox™ Two  
Drawer Toolbox**

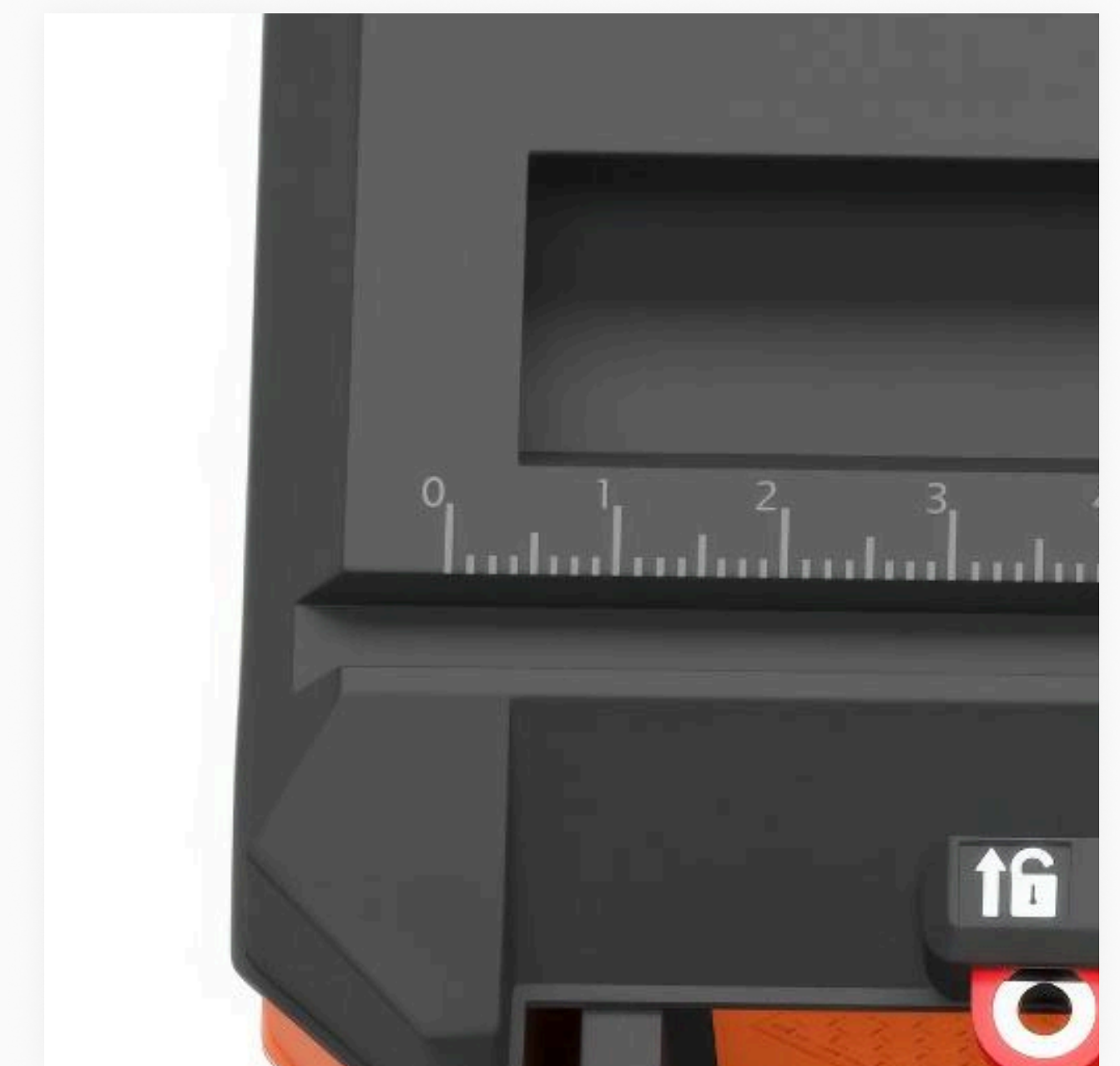
54822MB



**Supports 50 Pounds**  
Per drawer with preventative  
sagging reinforcement



**Built-In Side Rails**  
For accessories



**Ruler & V-Groove**  
For round stock

**MODbox™ Three  
Drawer Toolbox**

54823MB



**Easily Interconnects**  
For a customized mobile workstation



**Adjustable Drawer Dividers**  
Includes 24 dividers



**Secure Locking System**

**MODbox™ Compact Single  
DrawerBox, Half Width**

54843MB



**Compact Footprint**  
Enhances customization for  
efficient space utilization



**MODbox™ Rails**  
Compatible with MODbox  
attachments



**PVC Foam Mat**

**MODbox™ Compact Single  
Drawer Box, Full Width**

54844MB



**Lightweight Design**  
While still maintaining professional  
-grade construction quality



**MODbox™ Rails**  
Compatible with MODbox  
attachments



**PVC Foam Mat**

**MODbox™ Two Drawer  
Rolling Toolbox**

54801MB



**250 Pound Capacity**  
Lower drawer carries up to 50  
pounds and top drawer 20 pounds



**MODbox™ Rails**  
Compatible with MODbox  
attachments



**Nesting Locking Bar**  
Secures drawers for transportation

**MODbox™ Three Drawer  
Rolling Toolbox**

54890MB



**Direct Tool Access**  
Provides immediate access to  
tools without unstacking



**MODbox™ Rails**  
Compatible with MODbox  
attachments



**Heavy Duty**  
10" solid rubber wheels